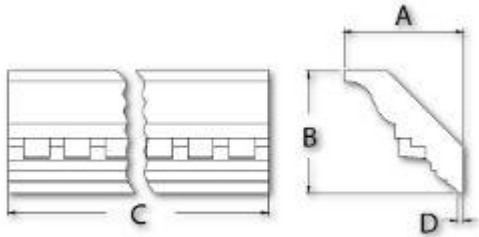
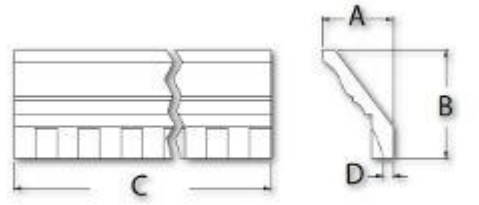
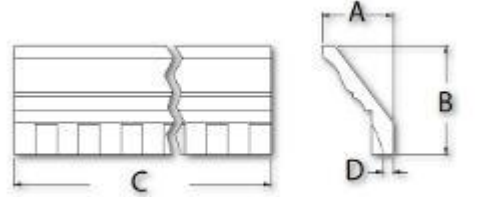
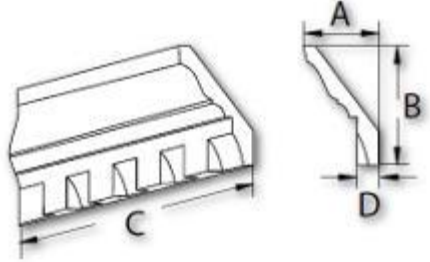
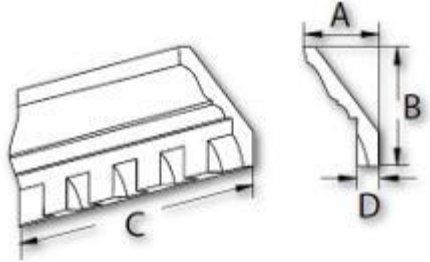
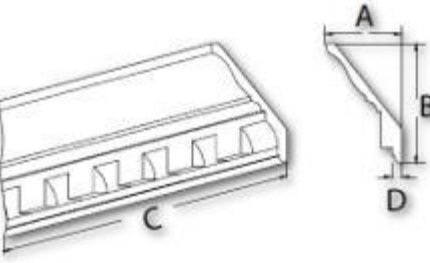
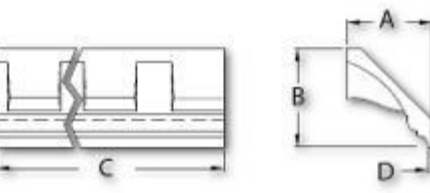

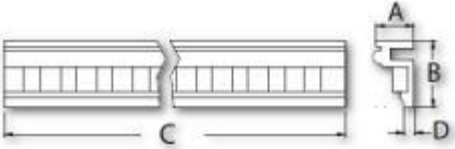
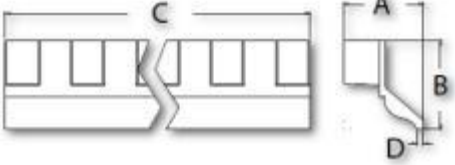
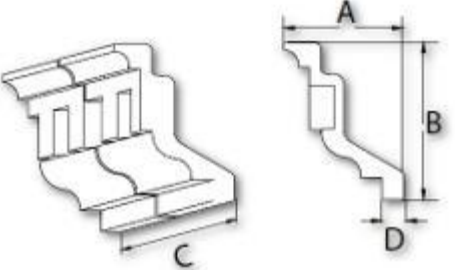


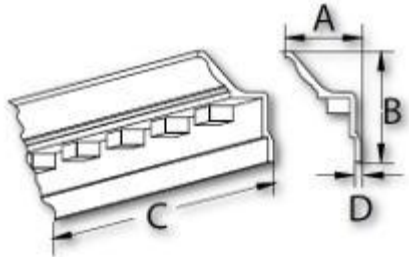
## Fypon Polyurethane Dentil Crown Moulding Specifications

SKU	Projection	Height	Length	Bottom Thickness	Design Repeat	Tooth	Space	Profile
MLD400-8	2 15/16"	2 11/16"	8'	1/8"	1"	5/8"	3/8"	
MLD404-8	2 1/2"	3 7/8"	8'	1/4"	1 1/2"	3/4"	3/4"	
MLD404-12	2 1/2"	3 7/8"	12'	1/4"	1 1/2"	3/4"	3/4"	

MLD404-16	2 1/2"	3 7/8"	16'	1/4"	1 1/2"	3/4"	3/4"	
MLD406-16	3 3/8"	4"	16'	3/8"	2"	1 1/4"	3/4"	
MLD432-12	3 15/16"	4 9/16"	12' 3"	3/16"	1"	1/2"	1/2"	
MLD365-16	4 15/16"	5"	16'	3/8"	4 5/8"	2 1/4"	2 3/8"	

MLD410-8	3 1/4"	6 7/8"	8'	7/16"	3"	1 1/2"	1 1/2"	
MLD410-12	3 1/4"	6 7/8"	12'	7/16"	3"	1 1/2"	1 1/2"	
MLD411-16	4 1/2"	7"	16'	1/2"	3"	1 1/2"	1 1/2"	
MLD440-12	6 1/2"	7 1/4"	12'	3/8"	6 5/8"	4"	2 5/8"	

MLD430-12	5 3/4"	8"	12' 2 1/4"	3/8"	2 5/8"	1 3/4"	7/8"	
MLD362-16	5 5/32"	8 3/8"	16'	1 1/4"	4 1/2"	2 1/2"	2"	
MLD435-16	9"	10"	16'	3/4"	7 3/8"	3 7/8"	3 1/2"	
MLD413-12	8 1/2"	11 1/8"	12'	1 15/32"	5 5/8"	3"	2 5/8"	

MLD421-12	10"	14 1/2"	12'	3/4"	6"	2"	4"	
MLD461-8	9 13/16"	19"	8'	1"	2 1/2"	1 1/2"	1"	