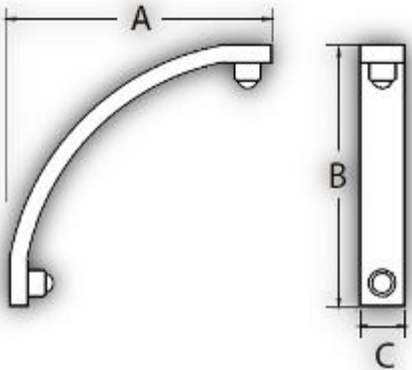
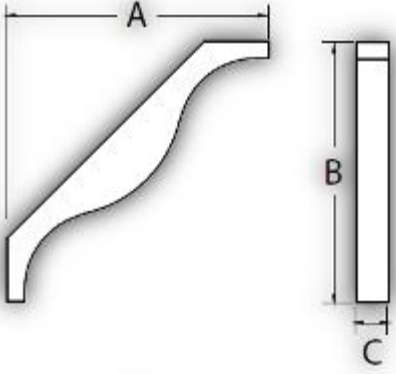
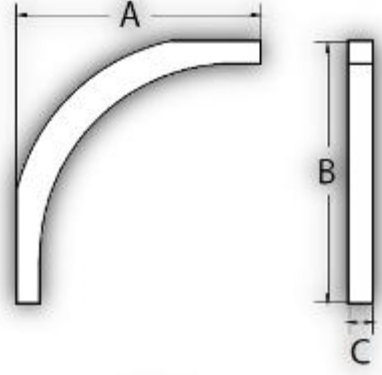


Fypon Polyurethane Knee Braces Specifications

SKU	Projection(A)	Height(B)	Overall Width(C)	Profile
BKT11X12X3	11 1/4"	12"	3 1/2"	
BKT13X15	14 5/8"	12 1/2"	5"	
BKT14X14	13 5/16"	13 5/16"	3 1/2"	
BKT30X30X8	30"	30"	6 7/8"	

BKT15X15	15"	15"	2 1/2"	
BKT22X22	22"	22"	2 3/4"	
BKT26X28	26"	28"	2 9/16"	
BKT8X29X4	8 1/4"	29"	4"	